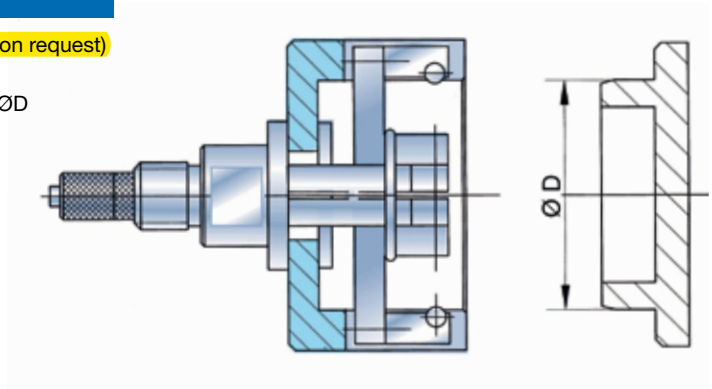


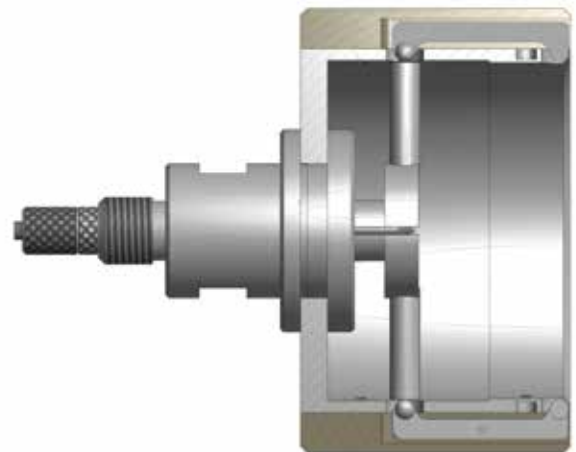
BMD-OD**BMD for measuring outside diameter** (on request)

Plug gauge used to measure outside diameters of $\varnothing D$ between 20 and 100 mm.

Max. measuring depth version 1: 10 mm



Max. measuring depth version 2: 30 mm



Please enclose a workpiece drawing with your enquiry.
We require a sample workpiece or a setting master for production.

BMD-IV**Ø Cylinder 10 - 100 mm****BMD for internal gear gauging** (on request)

Measuring of distance between balls (Mi)

Guiding cylinder is adapted to internal \varnothing of gears. Guiding noses avoid turning of BMD inside the work piece.

Requests required with drawing of workpiece and data about gears: measure M_i , diameter of balls, number of teeth.

For production, we need a GO-workpiece or a setting master with full tooth system. Production is not possible without workpiece or fully toothed setting master!

Versions: type S- or D, special cylinders over \varnothing 10 mm.

